



NS Series

45 – 60 HP



NS SERIES

**EVERYTHING YOU NEED TO DO
EVERYTHING YOU NEED.**

Looking for the perfect combination of power, comfort and value? Meet the NS Series. Designed for value-conscious customers who require a powerful tractor and larger platform, the NS Series can tackle your toughest tasks with ease.

Cab & ROPS Models

Synchro Shuttle or HST

Large, Open Platform Design

KIOTI ECO Engine Technology

Hydraulic Independent PTO

Cruise Control (HST Models)



Hydraulic Independent PTO

The standard rear PTO is easily engaged by the simple turn of a knob. A safety interlock prevents the engine from starting when the PTO switch is left on. All models come standard with a selectable manual or automatic PTO option. When the Auto PTO is engaged, the PTO will automatically shut off when the 3-point control is raised, eliminating exposure to the running implements.

Single Lever Joystick

Front end loader work is made easier by the use of a single lever joystick. The lever returns to neutral when released. A float position allows the bucket free flotation over the ground surface.

Eco-Friendly Diesel Engine

The Common Rail Diesel Engine (CRDI) improves fuel efficiency while reducing noise levels. With this eco-friendly Tier 4 engine, the NS Series offers the operator a quiet work environment with powerful performance.



THE FUEL EFFICIENT AND RUGGED KIOTI NS SERIES



Fully-Featured HST Models

Featuring a performance proven, heavy duty HST drive, HST models deliver power smoothly and efficiently. The three range transmission (Hi/Mid/Low) with twin pedal operation makes your job easier, smoother and safer.



Projection Head and Working Lamp

With LED projection head and working lamps, the operator will experience safer and easier operation in low light conditions.

3-Point Hitch with Telescopic Lower Links & Stabilizers

Standard telescopic lower link ends and stabilizers allow the operator to easily connect & adjust a wide variety of 3-point implements. The standard rear 3-point control lever easily raises and lowers the lift arms from outside the tractor when attaching implements.



Ergonomic Joystick Lever

An ergonomically designed joystick lever for front loader operation is standard on NS Series tractors.



Deluxe Suspension Seat

Ergonomically designed, adjustable suspension seat allows the operator to ride in comfort no matter what the task may be.



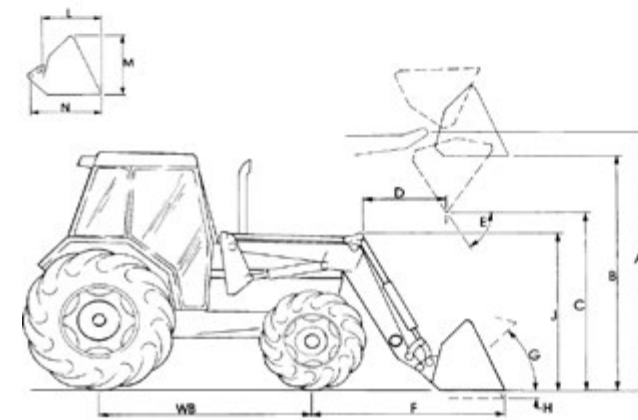
HST Cruise Control

HST Cruise system enables the tractor to maintain a steady speed as set by the operator.



Front End Loader

The KIOTI KL5810 front end loader is specifically designed for the NS Series tractors, providing efficient performance with single lever joystick control. The KIOTI loader, with a built-in parking stand, is designed to be quickly and easily attached and detached. KL Series loaders utilize the tractor's hydraulic system, feature single-lever control with float and come with a bucket level indicator.



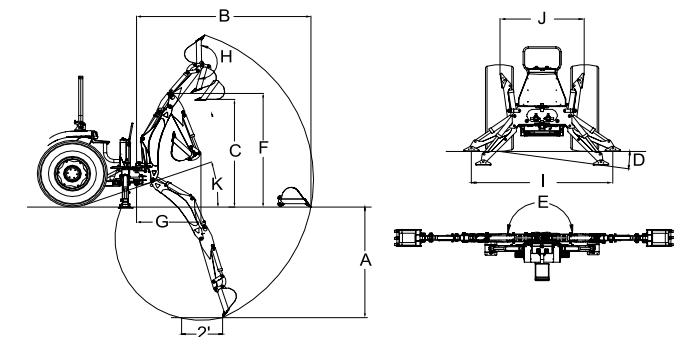
Loader Specifications

| MODEL | KL5810 |
|--|---|
| A Maximum Lift Height to Pivot Pin | 106.3 in. (2,700 mm) |
| B Clearance w/ Bucket Level | 100.9 in. (2,562 mm) |
| C Clearance w/ Bucket Dumped | 79.5 in. (2,020 mm) |
| D Reach at Maximum Height | 21.7 in. (550 mm) |
| E Maximum Dump Angle | 67° |
| F Reach w/ Bucket on Ground | 74.4 in. (1,890 mm) |
| G Maximum Rollback Angle | 32° |
| H Digging Depth Below Grade | 10.2 in. (260 mm) |
| J Overall Height in Carry Position | 49.8 in. (1,265 mm) |
| L Bucket Depth (Inner Shell) | 26.4 in. (670 mm) |
| M Bucket Height | 22.1 in. (560 mm) |
| N Bucket Length (Pivot Pin) | 26.4 in. (670 mm) |
| Lift Capacity to Full Height at Pivot Pins | 2,621 lbs. (1,189 kg) |
| Bucket Rollback Force at Ground Line | 3,880 lbs. (1,760 kg) |
| Breakout Force at Pivot Pins | 3,896 lbs. (1,767 kg) |
| Relief Valve Setting | 2,683 psi |
| Rated Flow | 9.6 gpm (36.3 L/min) |
| Bucket Sizes Available | 72 in. (1,829 mm) |
| Bucket Capacity (Heaped) | 14.8 ft ³ (0.42 m ³) |

* Specifications and design are subject to change without notice.

Backhoe

The KIOTI KB2485 backhoe lets you trench up to 94.4 inches deep with a bucket dig force up to 3,748 pounds. The KB2485 backhoe feature subframe mounting, responsive two-lever controls with exceptional feathering, hydraulic stabilizers, transport lock and a variety of standard and heavy-duty buckets.



Backhoe Specifications

| MODEL | KB2485 |
|---|-----------------------|
| A Digging Depth (Two Foot Flat Bottom) | 94.4 in. (2,400 mm) |
| B Reach from Center Line of Swing Pivot | 136.1 in. (3,460 mm) |
| C Loading Height (Bucket at 60°) | 80.3 in. (2,040 mm) |
| D Maximum Leveling Angle | 10° |
| E Swing Arc | 180° |
| F Transport Height (Maximum) | 92.9 in. (2,360 mm) |
| G Transport Overhang | 50.4 in. (1,280 mm) |
| H Bucket Rotation | 180° |
| I Stabilizer Spread (Down Position) | 68.7 in. (1,745 mm) |
| J Stabilizer Spread (Up Position) | 46.4 in. (1,180 mm) |
| K Angle of Departure | 21° |
| Shipping Weight (Without Bucket) | 1,102 lbs. (500 kg) |
| Bucket Digging Force | 3,748 lbs. (1,700 kg) |
| Dipperstick Digging Force | 2,205 lbs. (1,000 kg) |
| Operating Pressure | 2,466 psi (170 bar) |

Cylinders

| Cylinder | Bore DIA | Retracted Length | Stroke | Rod DIA |
|-------------|----------|------------------|--------|---------|
| Boom | 2.75 | 25.04 | 15.20 | 1.57 |
| Bucket | 2.36 | 24.8 | 15.55 | 1.38 |
| Dipperstick | 2.75 | 27.87 | 19.88 | 1.57 |
| Swing | 2.36 | 15.67 | 8.78 | 1.38 |
| Stabilizer | 2.36 | 17.55 | 10.31 | 1.38 |

Buckets

| Bucket | Teeth Quantity | Struck Capacity | Heaped Capacity | Shipping Weight |
|------------|----------------|-----------------|-----------------|-----------------|
| 12" Bucket | 3 | 1.01 cu. ft. | 1.24 cu. ft. | 56 lbs. |
| 18" Bucket | 4 | 1.56 cu. ft. | 2.02 cu. ft. | 70 lbs. |
| 24" Bucket | 5 | 2.11 cu. ft. | 2.82 cu. ft. | 94 lbs. |
| 36" Bucket | 6 | 2.78 cu. ft. | 4.00 cu. ft. | 114 lbs. |

* Specifications and design are subject to change without notice.



ISO 9001
NO.954596



ISO 14001
NO.771475



OHSAS 18001
NO.K033008

SPECIFICATIONS

| MODEL | | NS4710 | NS4710H | NS5310H | NS6010 | NS6010H |
|--|--------------|---|-----------------|------------------------------|-----------------------|-----------------|
| ENGINE | | | | | | |
| Model | | 3HT-S4TM45A | 3HT-S4TH45A | 3HT-S4TH50A | 3HT-S4TM58A | 3HT-S4TH58A |
| Type | | 3 Cyl., In-line Vertical, Water-cooled 4-cycle Turbo Diesel, CRDI | | | | |
| Engine Gross | hp (kW) | 44.9(33.5) | 44.9 (33.5) | 50.3 (37.5) | 57.7 (43.0) | 57.7 (43.0) |
| PTO | hp (kW) | 36.6 (27.3) | 36.3 (27.1) | 41.8 (31.2) | 48.3 (36.0) | 47.9 (35.7) |
| Displacement | cu. in. (cc) | 111.4 (1,826) | | | | |
| Rated Revolution | rpm | 2,600 | | | | |
| Fuel Tank Capacity | US gal. (ℓ) | 13.2 (50) | | | | |
| DRIVE TRAIN | | | | | | |
| Clutch | | Dry type single stage | | None | Dry type single stage | None |
| Transmission | | Synchro Shuttle | | HST | Synchro Shuttle | HST |
| Speeds | | 12×12 | | 3 Range | 12×12 | 3 Range |
| Differential Lock | | | | Rear Standard | | |
| Brake | | | | Wet disc type | | |
| PTO Type | | | | Independent | | |
| Rear PTO (Standard) | rpm | | | 540 | | |
| Mid PTO (Optional) | rpm | | | 2,000 | | |
| 4WD Type | | | | Electric/Hydraulic | | |
| HYDRAULIC SYSTEM | | | | | | |
| Pump | | | | Gear | | |
| Pump Capacity (Max. Flow Rate) | gpm (L/min) | | | 16.48 (62.4) | | |
| 3-Point Hitch | | | Category I | | Category II | |
| Maximum Lifting Capacity (24" aft. of hitch) | lbs. (kg) | | | 2,493 (1,131) | | |
| Hydraulic Lift Control System | | | | Position with Draft Control | | |
| Number of Remote Valves | | | | 1 | | |
| Steering | | | | Power Steering | | |
| TIRE SIZE | | | | | | |
| Front AG. (Turf, Industrial) | | | | 8-16 (29×12.5-15, 10×16.5) | | |
| Rear AG. (Turf, Industrial) | | | | 13.6-24 (21.5×16.1, 14.9×24) | | |
| TRAVELING SPEEDS | | | | | | |
| Forward | mph (km/h) | 0.9~16.7 (1.5~26.8) | 0~17.5 (0~28.1) | 0~17.5 (0~28.1) | 0.9~16.7 (1.5~26.8) | 0~17.5 (0~28.1) |
| Reverse | mph (km/h) | 0.8~14.8 (1.3~23.8) | 0~12.2 (0~19.7) | 0~12.2 (0~19.7) | 0.8~14.8 (1.3~23.8) | 0~12.2 (0~19.7) |
| DIMENSIONS | | | | | | |
| Overall Length (Includes 3-pt Hitch) | in. (mm) | | | 136.4 (3,465) | | |
| Overall Width (Minimum Tread) | in. (mm) | | | 67.1 (1,705) | | |
| Overall height (with ROPS) | in. (mm) | | | 98.4 (2,500) w/o Beacon | | |
| Wheelbase | in. (mm) | | | 75.5 (1,918) | | |
| Min. Ground Clearance | in. (mm) | | | 13.4 (340) | | |
| Tread | Front (AG.) | in. (mm) | | 51.1 (1,297) | | |
| | Rear (AG.) | in. (mm) | | 54.3 (1,380) | | |
| Min. Turning Radius (with brake) | ft. (m) | | | 10.94 (3.336) | | |
| Weight with AG. Tires | lb. (kg) | | | 4,027 (1,827) | | |

* NOTE : Specifications and design are subject to change without notice.

STANDARD EQUIPMENT

- Power Steering
- Rear PTO
- Single Remote Hydraulic Valve
- Wet Multi Disc Brakes
- Joystick Valve
- Cruise Control (HST Only)

- Drawbar
- Headlights
- Parking Brake
- PTO cover
- Suspension Seat

OPTIONAL EQUIPMENT

- Sun Canopy
- Beacon Light
- Rear Working light
- Front Weights
- MID PTO
- HST Linked Pedal (HST Only)
- Clevis Type Drawbar
- Rear View Mirror (1ea)
- Second Remote Hydraulic Valve (Non-Detent)
- Second Remote Hydraulic Valve (Detent)
- Fuel Heater Kit

ATTACHMENTS

- Front End Loader
- Backhoe
- Contact your local KIOTI dealer for available implements.



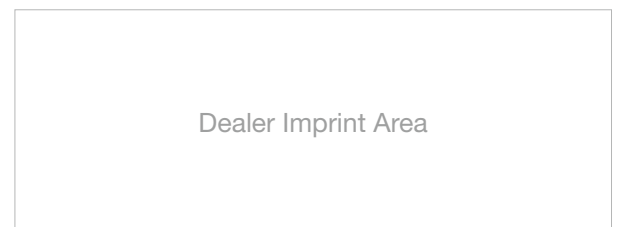
KIOTI Tractor Division

DAEDONG - USA, INC.

6300 KIOTI Drive, Wendell, NC 27591 USA

Toll free 877-GO-KIOTI • Fax 919-374-5001

Web www.KIOTI.com



Dealer Imprint Area

LIT-NS-ALL2